



### Main

Range of product	Modicon Quantum automation platform
Product or component type	Dc discrete output module
Discrete output number	32

### Complementary

Group of channels	4 groups of 8
Discrete output logic	Positive logic (source)
Addressing requirement	2 output words
Discrete output voltage	24 V DC
Output voltage limits	19.2...30 V
Absolute maximum output	56 V for 1.3 s decaying pulse
Maximum voltage drop	<0.4 V 0.5 A
Maximum load current	16 A per module 4 A per group
Surge current	5 A for 0.0005 s
Response time	<= 1 ms at state 0 to state 1 <= 1 ms at state 1 to state 0
Maximum leakage current	0.4 mA 30 V
Load inductance	$\text{Inductance(H)} = 0.5 / ((\text{current(A)})^2 \times (\text{switching frequency(Hz)}))$ 50 Hz
Fault indication	Blown fuse Loss of field power
Associated fuse rating	3 A each point 5 A per group
Isolation between channels and bus	1780 Vrms DC for 1 minute
Isolation between group	500 Vrms DC for 1 minute
Protection type	Internal output protection by 5 A fuse per group
Power dissipation	1.75 W + (0.4 V x total module load current)

Disclaimer: This documentation is not intended as a substitute for and is not to be used for determining suitability or reliability of these products for specific user applications

Marking	CE
Local signalling	1 LED (green) for bus communication is present (Active) 1 LED (red) for external fault detected (F) 32 LEDs (green) for input status
Bus current requirement	330 mA
Module format	Standard
Net weight	0.45 kg

## Environment

Product certifications	GOST BV RMRS ABS DNV GL RINA C-Tick FM Class 1 Division 2 Safety certification non interfering
Standards	UL 508 CSA C22.2 No 142
Resistance to electrostatic discharge	4 kV contact conforming to IEC 801-2 8 kV on air conforming to IEC 801-2
Resistance to electromagnetic fields	10 V/m 80...2000 MHz conforming to IEC 801-3
Ambient air temperature for operation	0...60 °C
Ambient air temperature for storage	-40...85 °C
Relative humidity	95 % without condensation
Operating altitude	<= 5000 m

## Offer Sustainability

Sustainable offer status	Green Premium product
EU RoHS Directive	Pro-active compliance (Product out of EU RoHS legal scope) <a href="#">EU RoHS Declaration</a>
Mercury free	Yes
RoHS exemption information	<a href="#">Yes</a>
China RoHS Regulation	<a href="#">China RoHS declaration</a>
Environmental Disclosure	<a href="#">Product Environmental Profile</a>
Circularity Profile	<a href="#">End of Life Information</a>
WEEE	The product must be disposed on European Union markets following specific waste collection and never end up in rubbish bins

## Contractual warranty

Warranty	18 months
----------	-----------

Racks for Modules Mounting

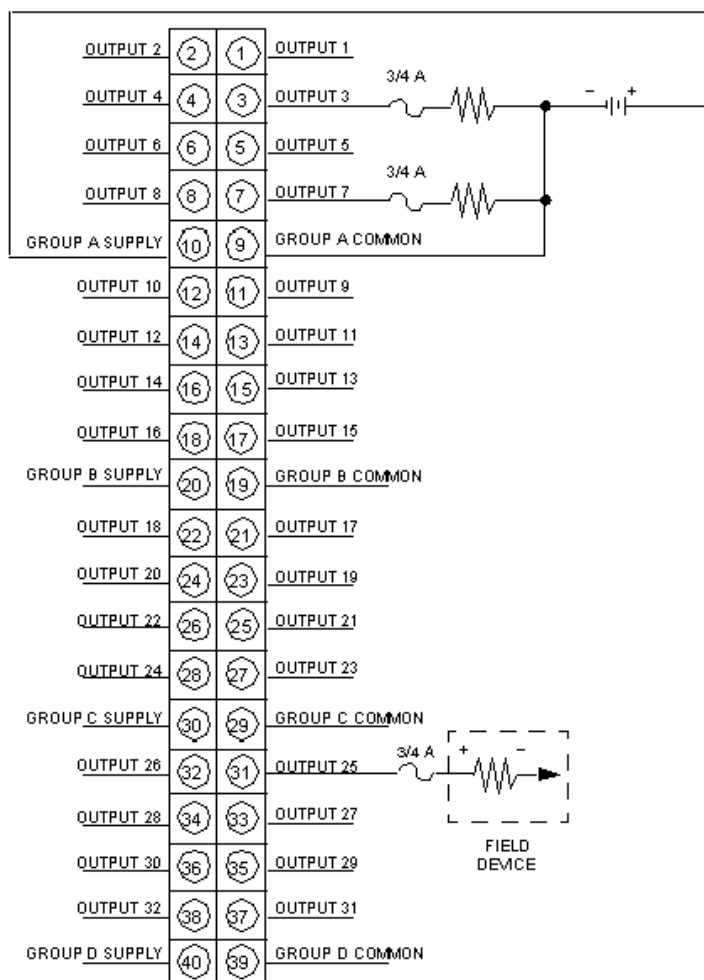
Dimensions of Modules and Racks



- (1) 2 slots
- (2) 3 slots
- (3) 4 slots
- (4) 6 slots
- (5) 10 slots
- (6) 16 slots

24 Vdc Discrete Output Source Module

Wiring Diagram



140DDO35300 is replaced by:



Standard environment BMXDDO3202K

discrete output module X80 - 32 outputs - 24 V DC positive

Qty 1

Reason for Substitution: End of life | Substitution date: 30 September 2019 | Linking to group 1